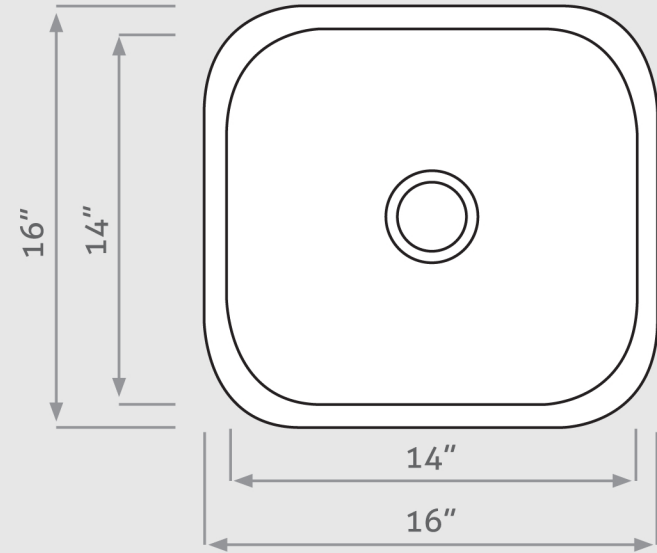


MODEL# A-4040



FEATURES

- 304 STAINLESS STEEL
- 18 GAUGE AVAILABLE
- SOUND DAMPENING PADS
- SOUND ABSORBING UNDERCOATING

AVAILABLE ACCESSORIES

- DELUXE STRAINER

CODES

ASME A 112.19.2-2013/CSA B45.1-13

