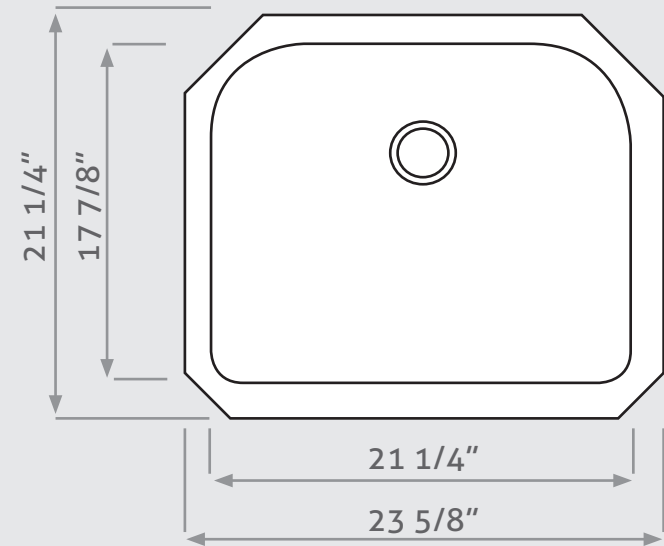


# MODEL# A-6054 D6



## FEATURES

- 304 STAINLESS STEEL
- 18 & 16 GAUGE AVAILABLE
- SOUND DAMPENING PADS
- SOUND ABSORBING UNDERCOATING

## AVAILABLE ACCESSORIES

- STAINLESS STEEL GRID
- DELUXE STRAINER

## CODES

ASME A112.19.2-2013/CSA B45.1-13

